



# INSTALLATION INSTRUCTIONS

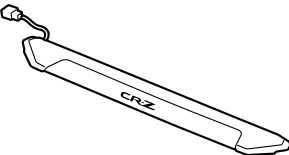
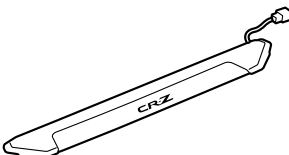
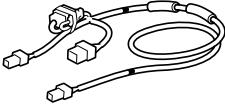
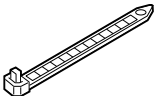
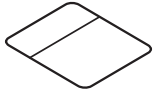
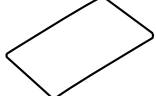
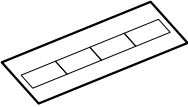
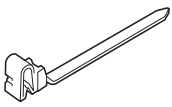


Accessory  
**ILLUMINATED  
DOOR SILL TRIMS**  
P/N 08E12-SZT-100

Application  
**CR-Z**

Publications No.  
**J9FG-CB**

Issue Date  
**SEP 2011**

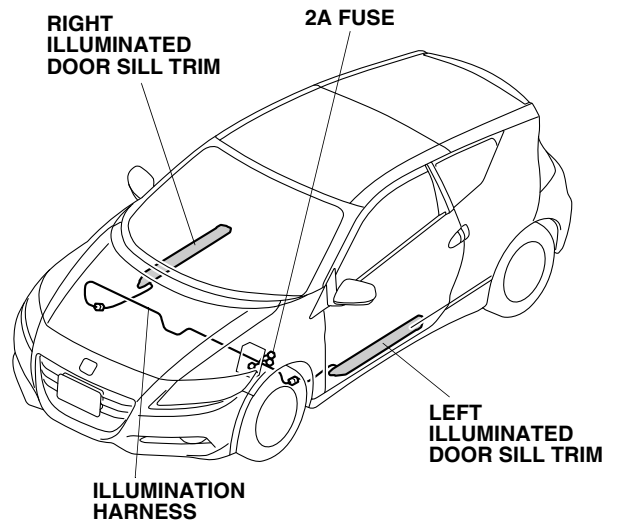
## PARTS LIST

- Left illuminated door sill trim 
- Right illuminated door sill trim 
- Illumination harness 
- 13 Wire ties 
- Clear protective tape 
- 2 Aluminum tapes 
- Fuse label 
- Wire tie with clip 
- 2 Wire clips 
- Alcohol swab 

## TOOLS AND SUPPLIES REQUIRED

- Shop towel
- Trim Tool Set (SOJATP2014)  
(Available through the Honda Tool and Equipment program. On the iN, click on: Service/Service Bay/Tool and Equipment Program, then enter the number under "Search." Or call 888-424-6857.)
- Masking tape
- Utility knife
- Needle nose pliers
- Diagonal cutters
- Tape measure
- Scissors
- 10 mm Open end wrench
- Isopropyl alcohol

## Illustration of the Illuminated Door Sill Trims on the Vehicle

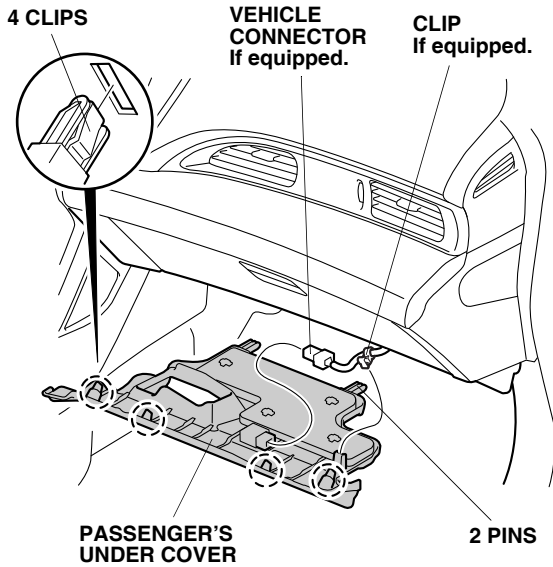


## INSTALLATION

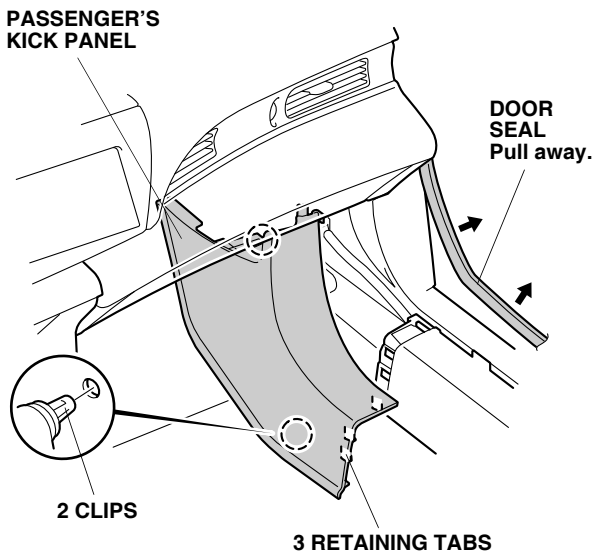
**Customer Information:** The information in this installation instruction is intended for use only by skilled technicians who have the proper tools, equipment, and training to correctly and safely add equipment to your vehicle. These procedures should not be attempted by "do-it-yourselfers."

1. Make sure you have the anti-theft code for the audio unit and the navigation system (if equipped), then write down the radio station presets.

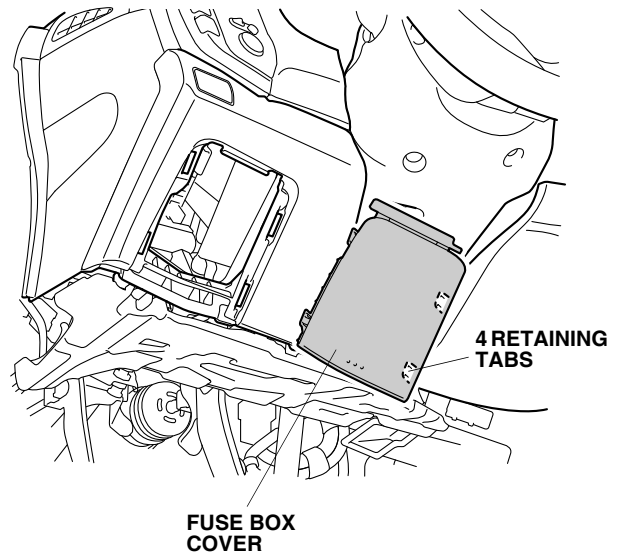
2. Disconnect the negative cable from the battery.
3. Remove the passenger's under cover. If equipped with footwell lights, release the clip, and unplug the connector.



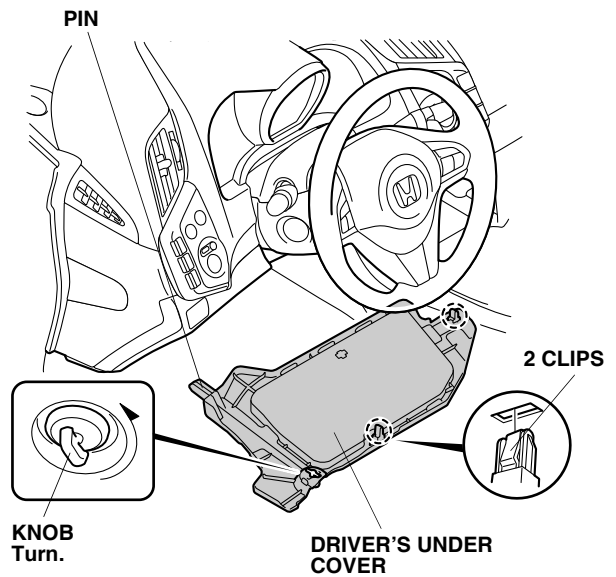
4. Pull away the door seal from the passenger's kick panel. Remove the passenger's kick panel.



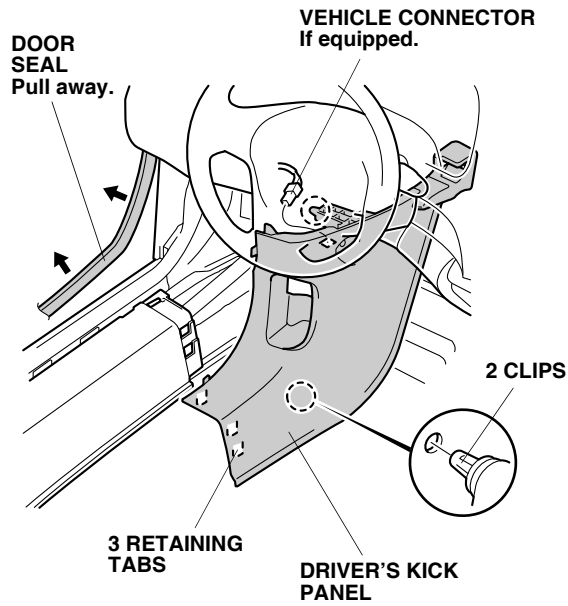
5. Remove the fuse box cover.



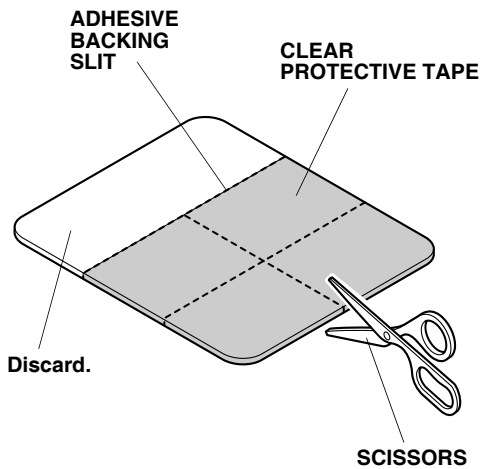
6. Remove the driver's under cover.



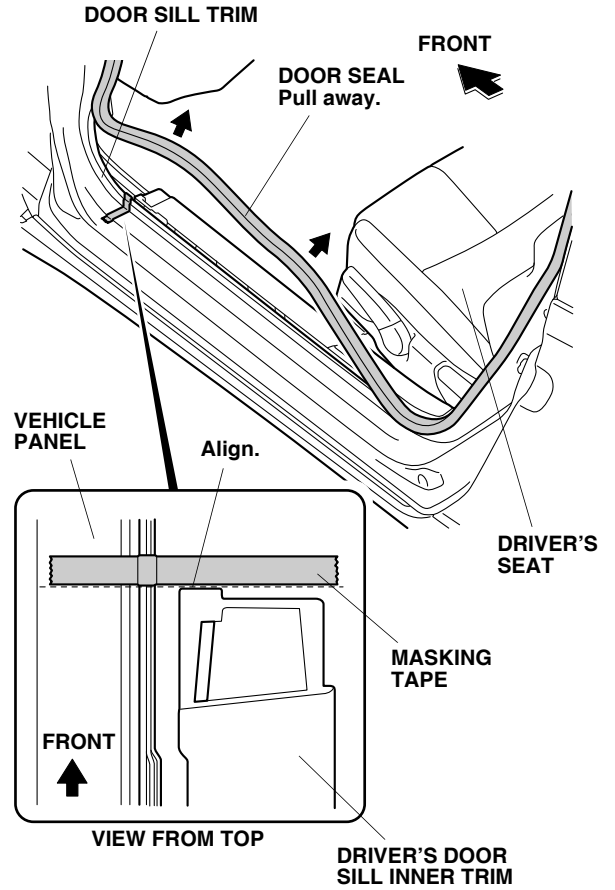
7. Pull away the door seal from the driver's kick panel, and remove the driver's kick panel. If equipped with footwell lights, unplug the vehicle connector.



8. Using scissors, cut the clear protective tape into five pieces.

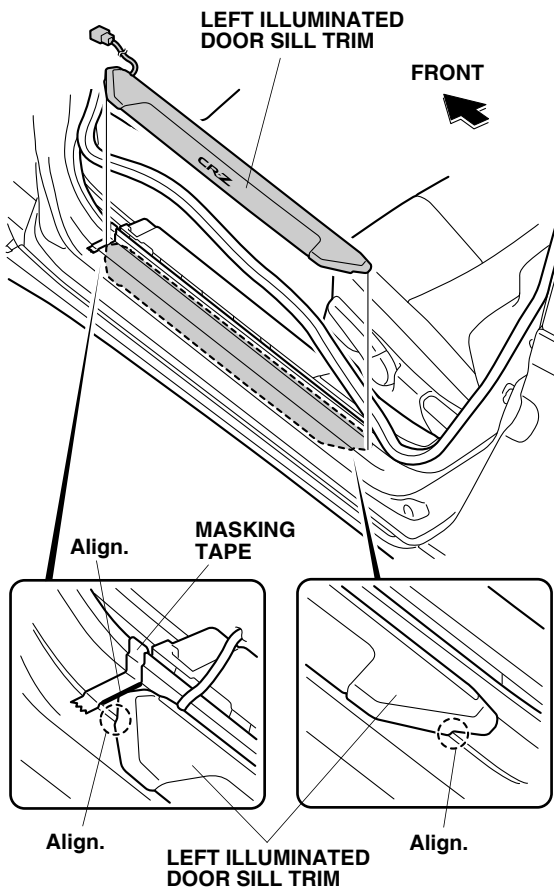


9. Pull away the door seal from the door sill trim.

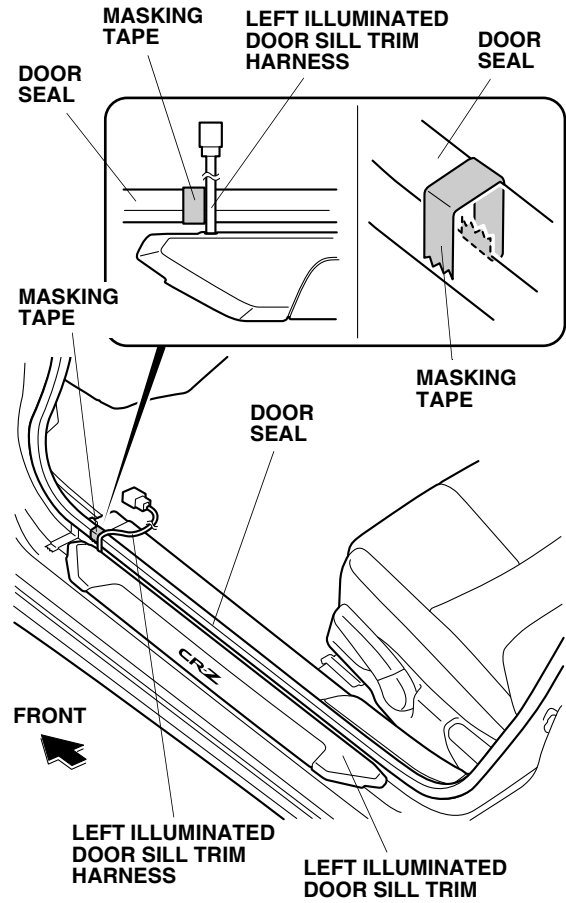


10. Attach a piece of masking tape to the vehicle panel. Align it with the front edge of the driver's door sill inner trim.

- Align the left illuminated door sill trim with the masking tape.  
NOTE: The left illuminated door sill trim is marked "L".

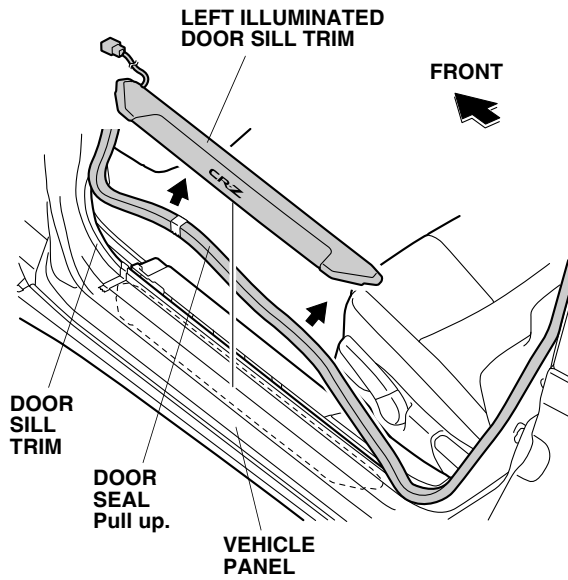


- Reinstall the door seal.

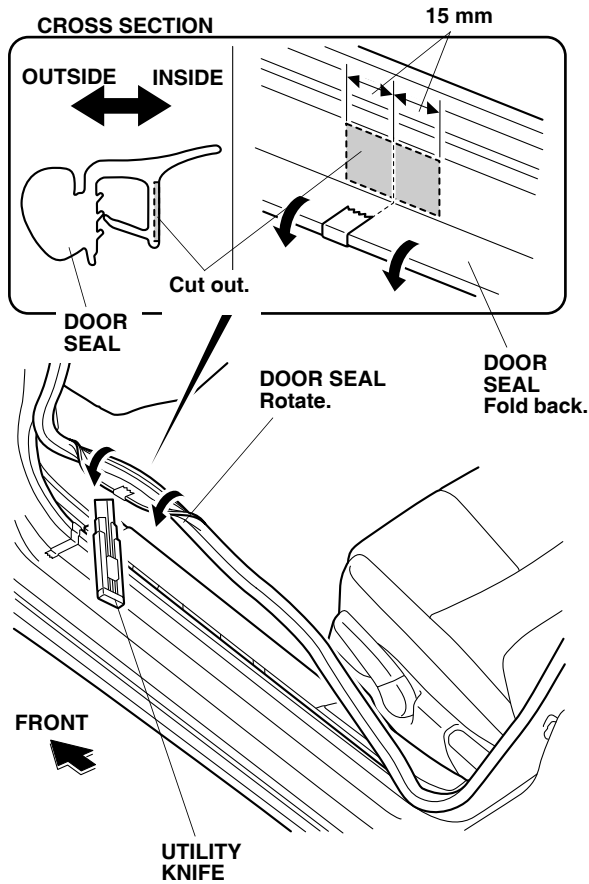


- Route the left illuminated door sill trim harness over the door seal. Attach a piece of masking tape to the door seal to mark where the illuminated door sill trim harness crosses the door seal.

- Pull up the door seal from the door sill trim at the masking tape.

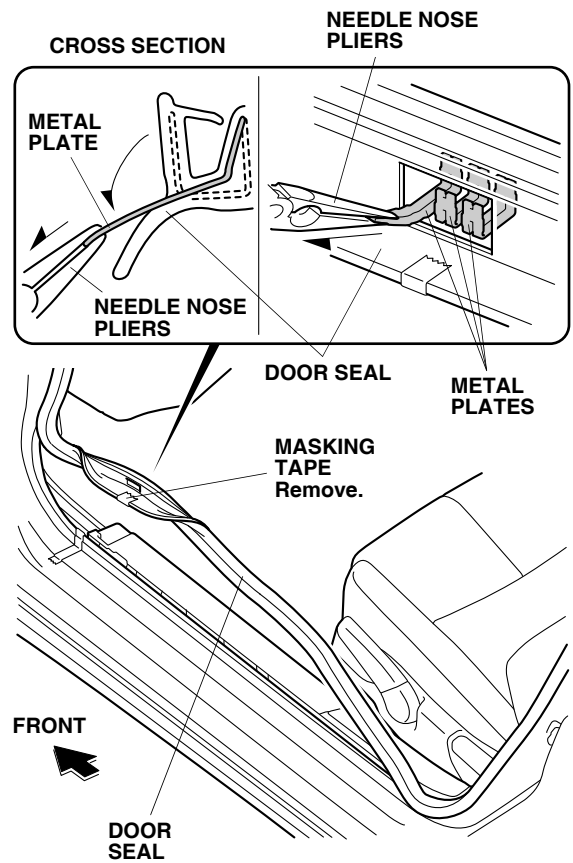


- Remove the left illuminated door sill trim from the vehicle panel.
- Fold back the door seal as shown.



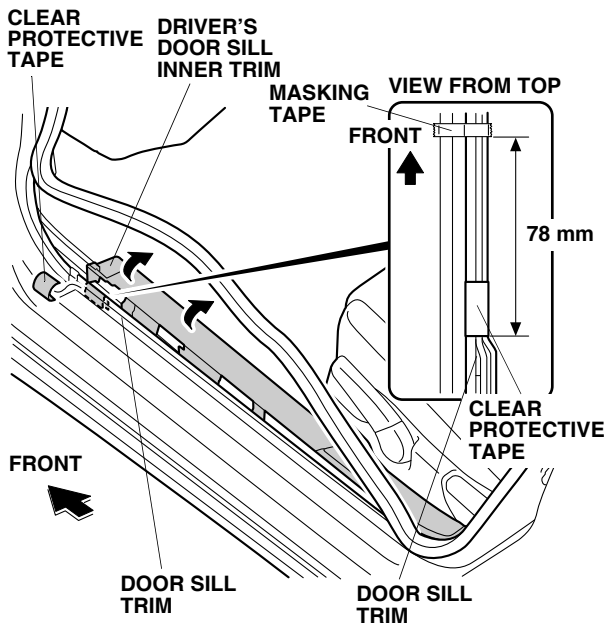
- Using a utility knife, make a slit in the door seal at the location shown to expose the small metal plates inside the seal.

- Using needle nose pliers, remove three metal plates from the door seal.

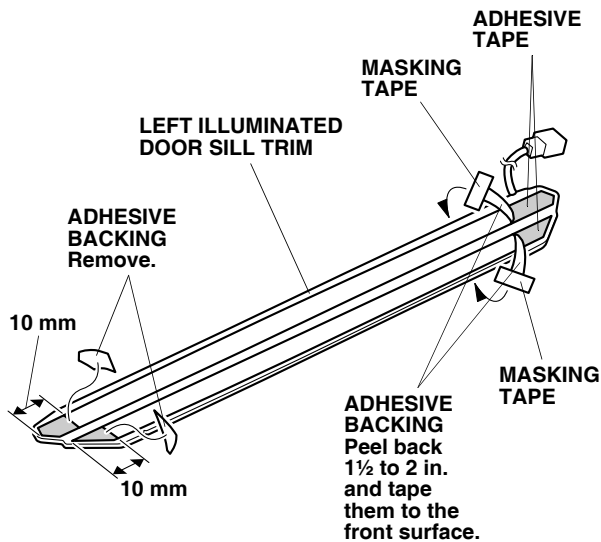


- Remove the masking tape from the door seal.

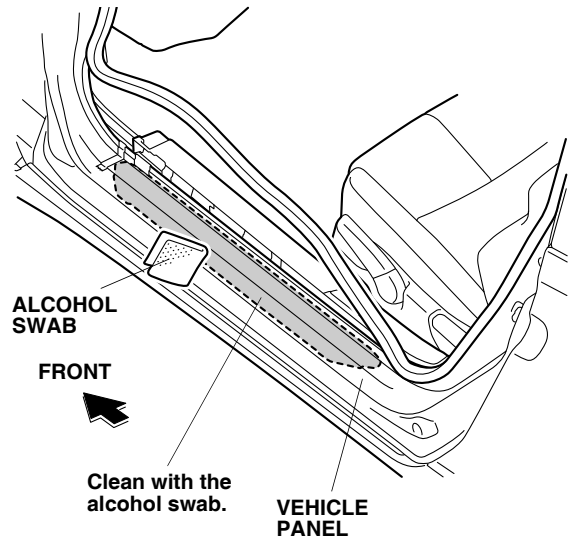
20. Lift the front edge of the driver's door sill inner trim. Do not fully remove the driver's door sill inner trim.



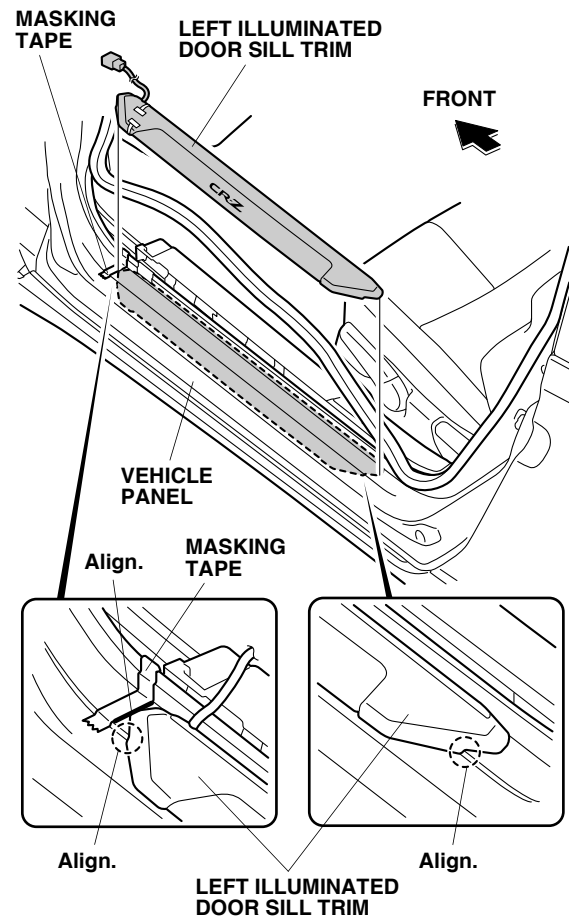
21. Using isopropyl alcohol on a shop towel, thoroughly clean the body where the clear protective tape will attach.
22. Attach one clear protective tape to the door sill trim in the area shown.
23. Peel back approximately 1½ to 2 inches of the adhesive backings on the left illuminated door sill trim, and tape the ends to the front surface. Remove the remaining pieces of the adhesive backings.



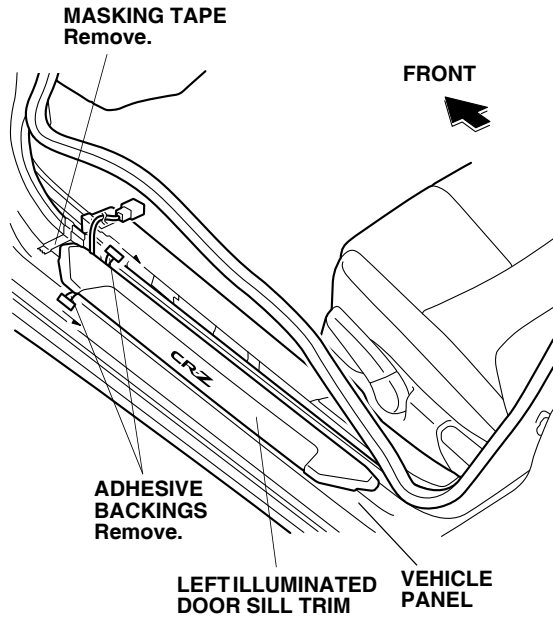
24. Using the alcohol swab, thoroughly clean the area where the left illuminated door sill trim will attach.



25. Align the left illuminated door sill trim with the masking tape.

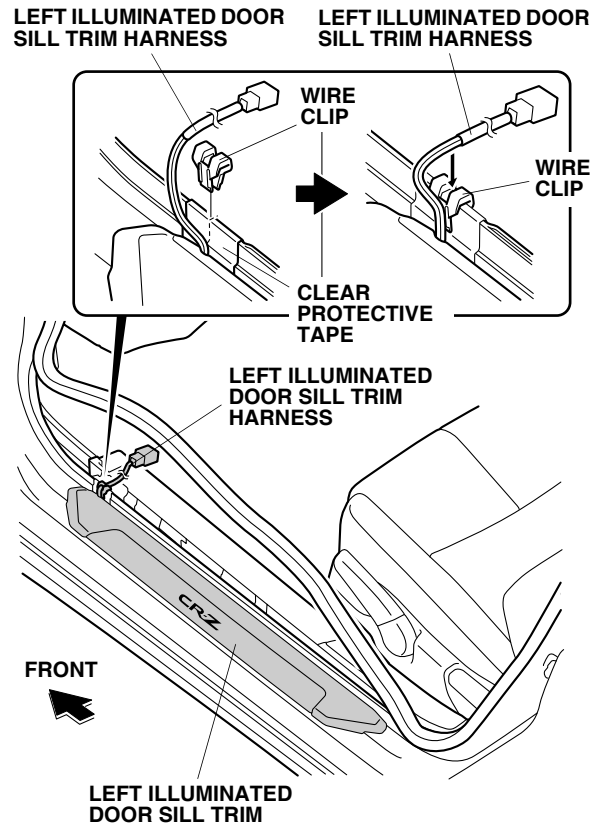


26. While applying light pressure against the left illuminated door sill trim, carefully remove the adhesive backings.

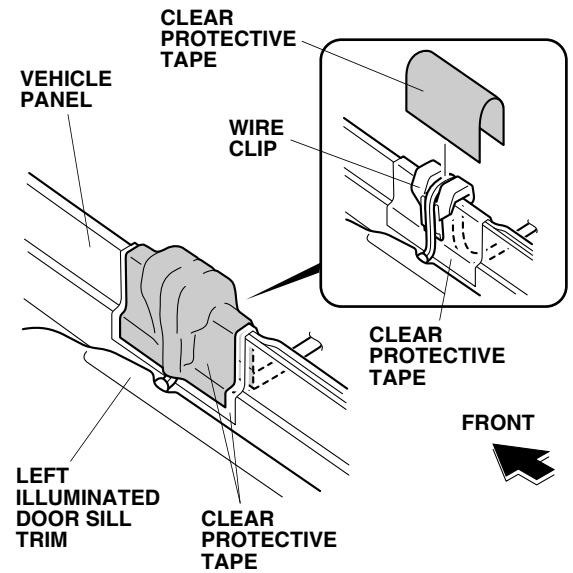


27. Using the palm of your hand, firmly press the left illuminated door sill trim against the vehicle panel.
28. Remove the masking tape.

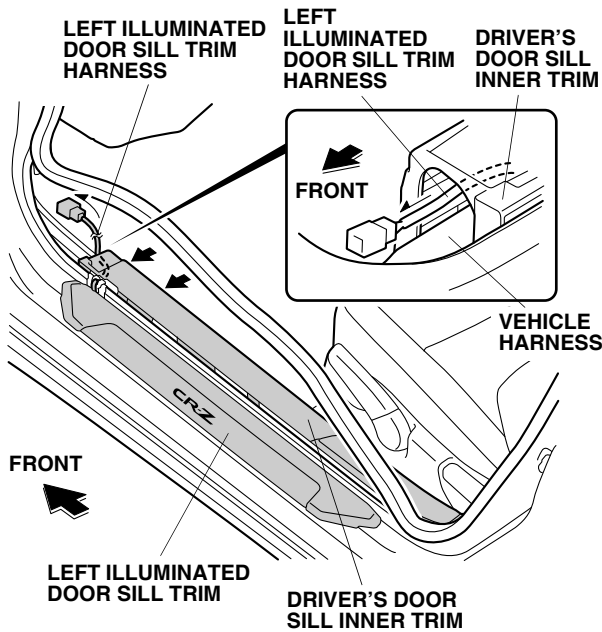
29. Attach the wire clip to the clear protective tape you installed.



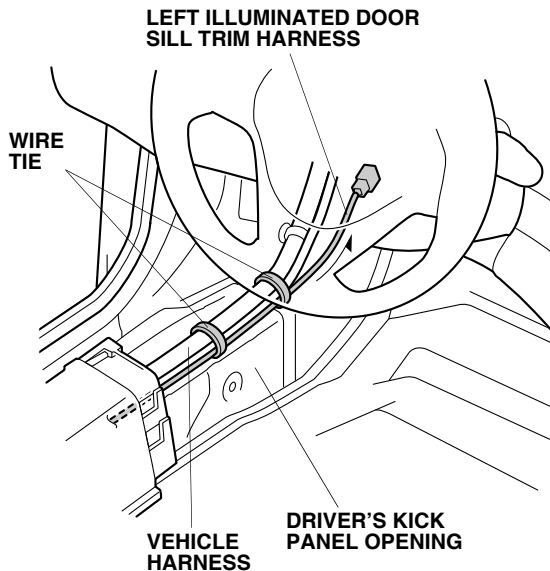
30. Route the left illuminated door sill trim harness through the wire clip as shown.
31. Install one additional clear protective tape over the wire clip as shown.



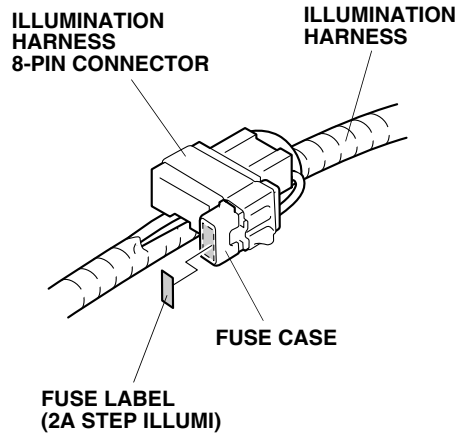
32. Route the left illuminated door sill trim harness through the driver's door sill inner trim.



33. Reinstall the front of the driver's door sill inner trim and the door seal.
34. Repeat steps 9 through 33 to install the right illuminated door sill trim on the right side of the vehicle.
35. Route the left illuminated door sill trim harness along the vehicle harness, and secure it to the vehicle harness with two wire ties.

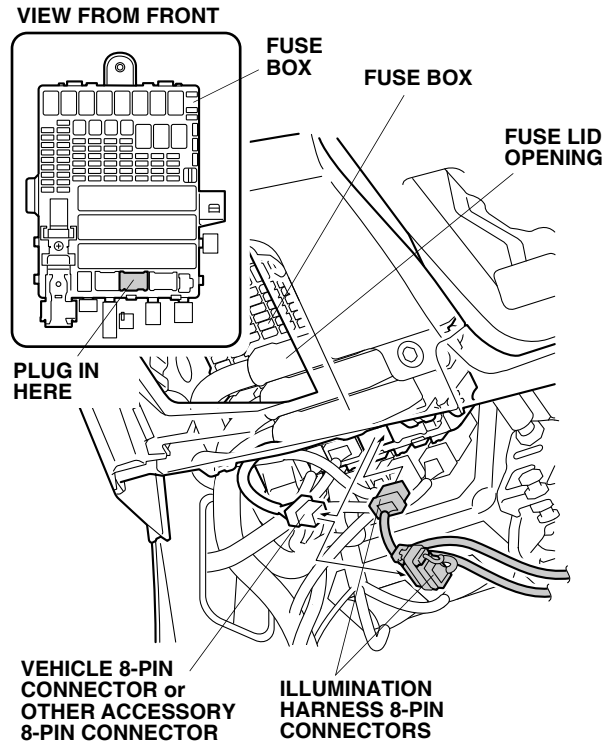


36. Using isopropyl alcohol on a shop towel, thoroughly clean the area where the fuse label will attach. Attach the fuse label (2A STEP ILLUMI) to the fuse case on the illumination harness.



*Without Another Accessory Harness*

37. Unplug the vehicle 8-pin connector from the fuse box, and plug the illumination harness 8-pin connector into the fuse box.

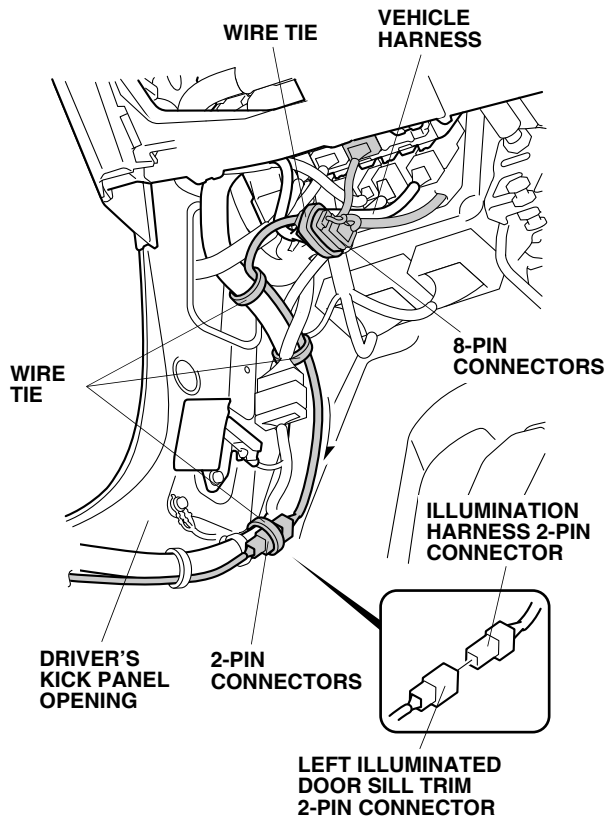


38. Plug the vehicle 8-pin connector into the illumination harness 8-pin connector. Go to step 41.



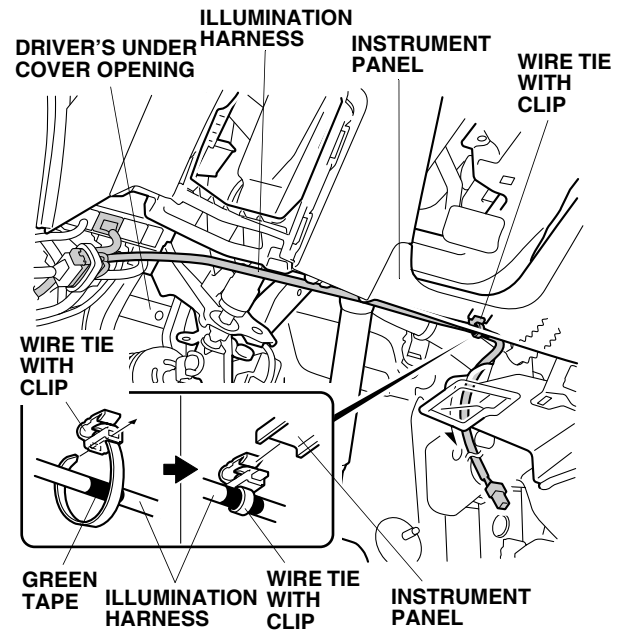
*With Another Accessory Harness*

39. Unplug the vehicle 8-pin connector from the other accessory harness. Plug the illumination harness 8-pin connector into the other accessory harness 8-pin connector.
40. Plug the vehicle 8-pin connector into the illumination harness 8-pin connector.
41. Route the illumination harness 2-pin connector down, and plug it into the left illuminated door sill trim 2-pin connector.

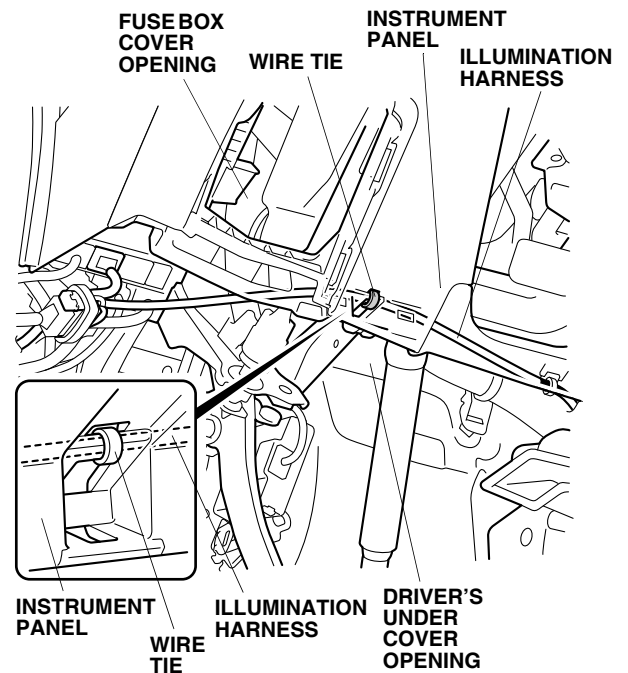


42. Secure the 8-pin connectors to the vehicle harness with one wire tie.
43. Secure the illumination harness and the 2-pin connectors to the vehicle harness with three wire ties.

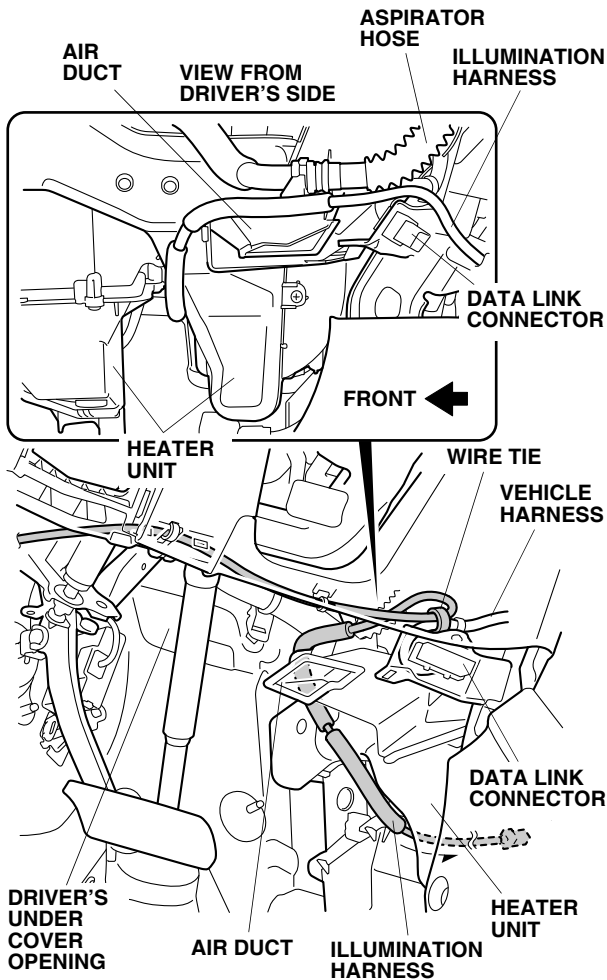
44. Route the illumination harness along the instrument panel.



45. Attach one wire tie with clip to the illumination harness at the green tape. Clip it to the instrument panel.
46. Secure the illumination harness to the instrument panel with one wire tie. Make sure to secure the illumination harness in the correct position and orientation.

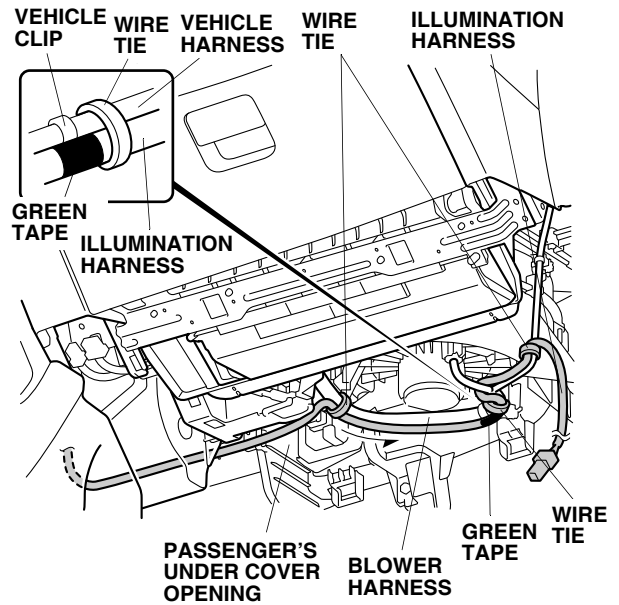


47. Route the illumination harness to the passenger's side of the vehicle as shown.

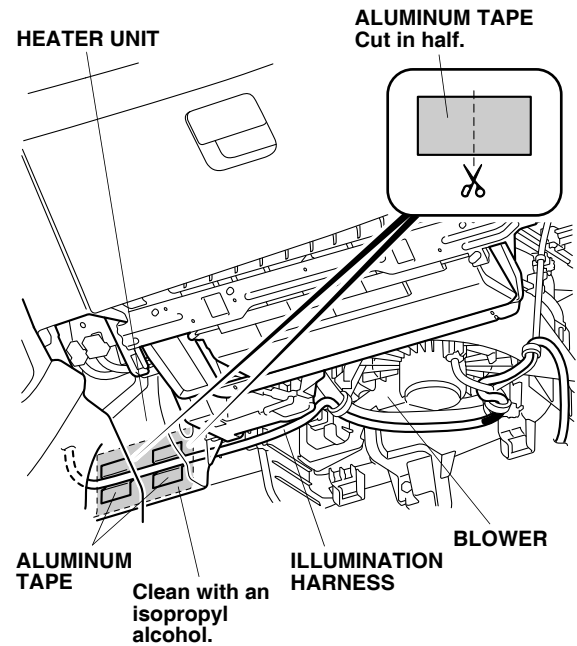


48. Secure the illumination harness to the vehicle harness with one wire tie.

49. Route the illumination harness along the blower harness.

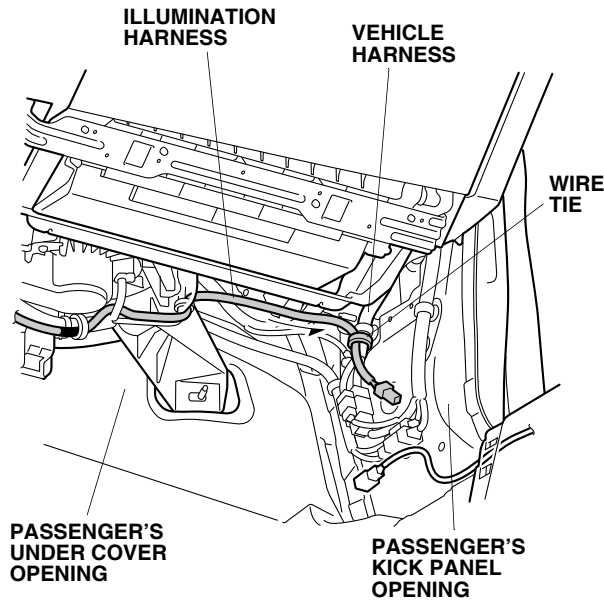


50. Secure the illumination harness to the vehicle clip with one wire tie at the green tape. Secure the illumination harness to the blower harness with one wire tie.
51. Secure the illumination harness to the vehicle harness with two additional wire ties.
52. Using isopropyl alcohol on a shop towel, thoroughly clean the areas where the aluminum tape will attach.

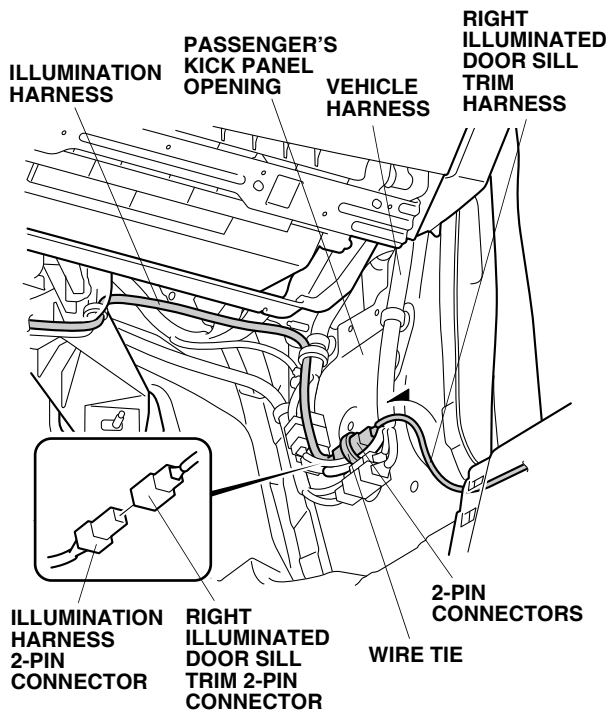


53. Using scissors, cut one aluminum tape in half. Secure the illumination harness to the back of the heater unit with two pieces of aluminum tape as shown.

54. Route the illumination harness to the passenger's kick panel opening.

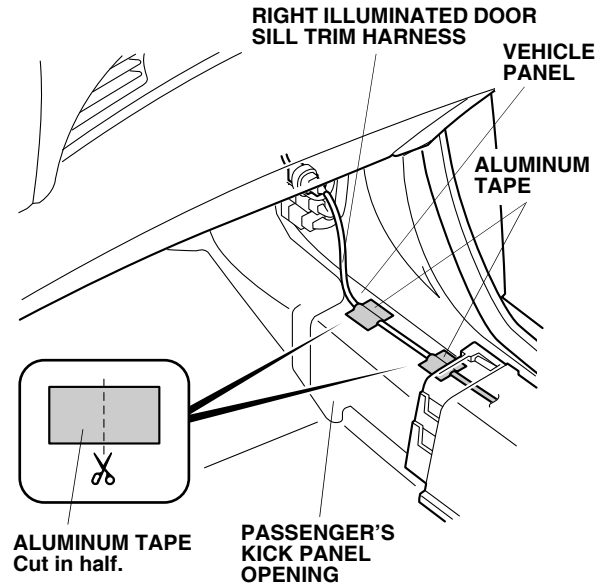


55. Secure the illumination harness to the vehicle harness with one wire tie.
56. Route the right illuminated door sill trim harness. Plug the illumination harness 2-pin connector into the right illuminated door sill trim 2-pin connector.



57. Secure the 2-pin connectors to the vehicle harness with one wire tie.

58. Using isopropyl alcohol on a shop towel, thoroughly clean the areas where the aluminum tapes will attach.



59. Using scissors, cut one aluminum tape in half. Secure the illuminated door sill trim harness to the vehicle panel with the two halves of aluminum tape as shown.
60. Check that all wire harnesses and cables are routed properly and that all connectors are plugged in.
61. Reinstall all removed parts.
62. Reconnect the negative cable to the battery.
63. Enter the customer's anti-theft code for the audio and navigation system (if equipped), and reset the radio station presets.
64. Reset the clock.
65. If the IMA battery level gauge display is at zero, start the engine, and hold it between 3,500 rpm and 4,000 rpm (without load) in P or N position until the IMA battery level gauge shows at least half-charged.
66. Check that the light comes on when each door is opened.